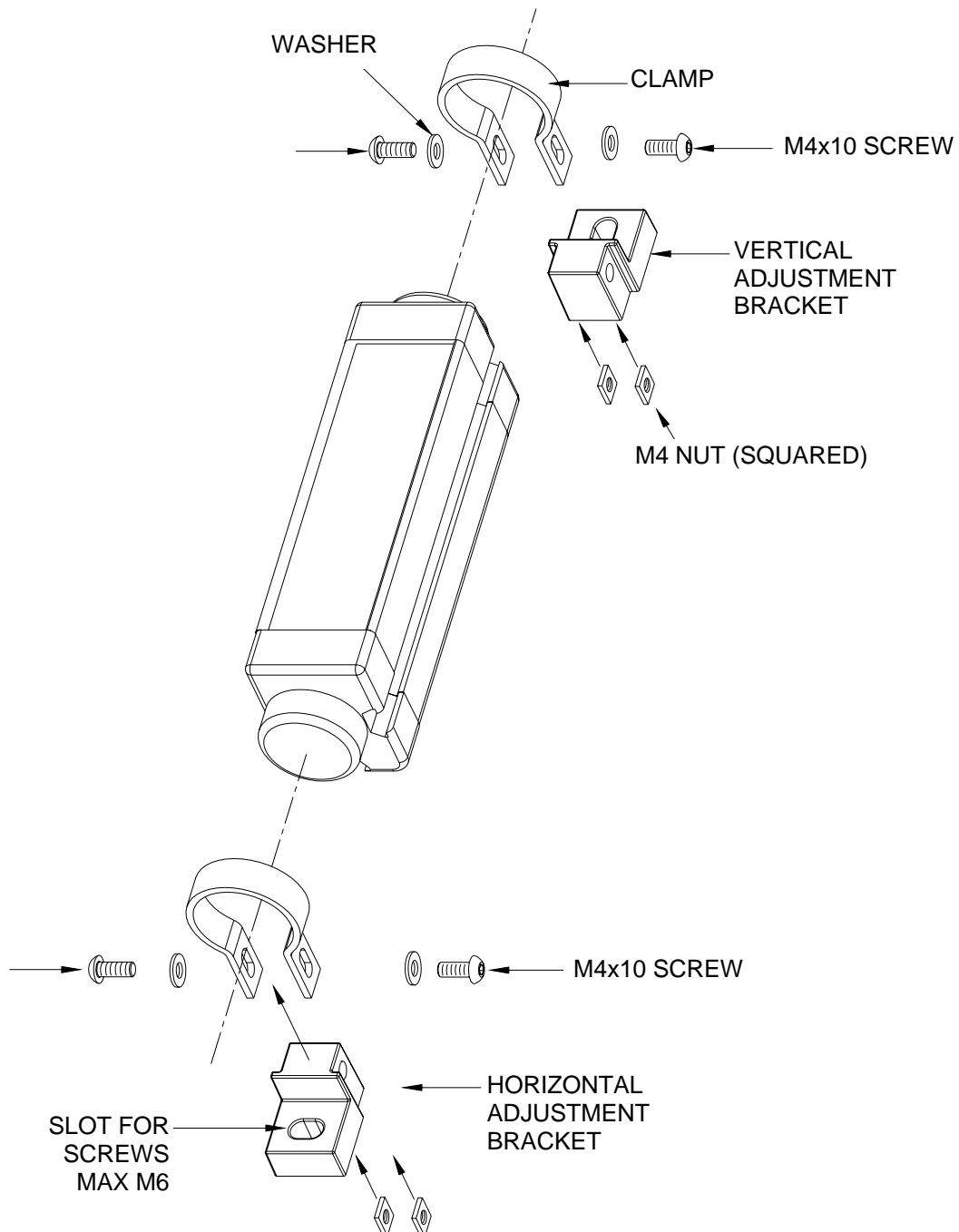


4 SFB adjustable fixing brackets set

The present technical sheet is supplied with the **4 SFB adjustable fixing brackets set**, to permit the customer to have the correct instructions about the fixing of these brackets on the ADMIRAL/VISION series light curtains.

ASSEMBLING THE BRACKETS WITH THE BARRIER

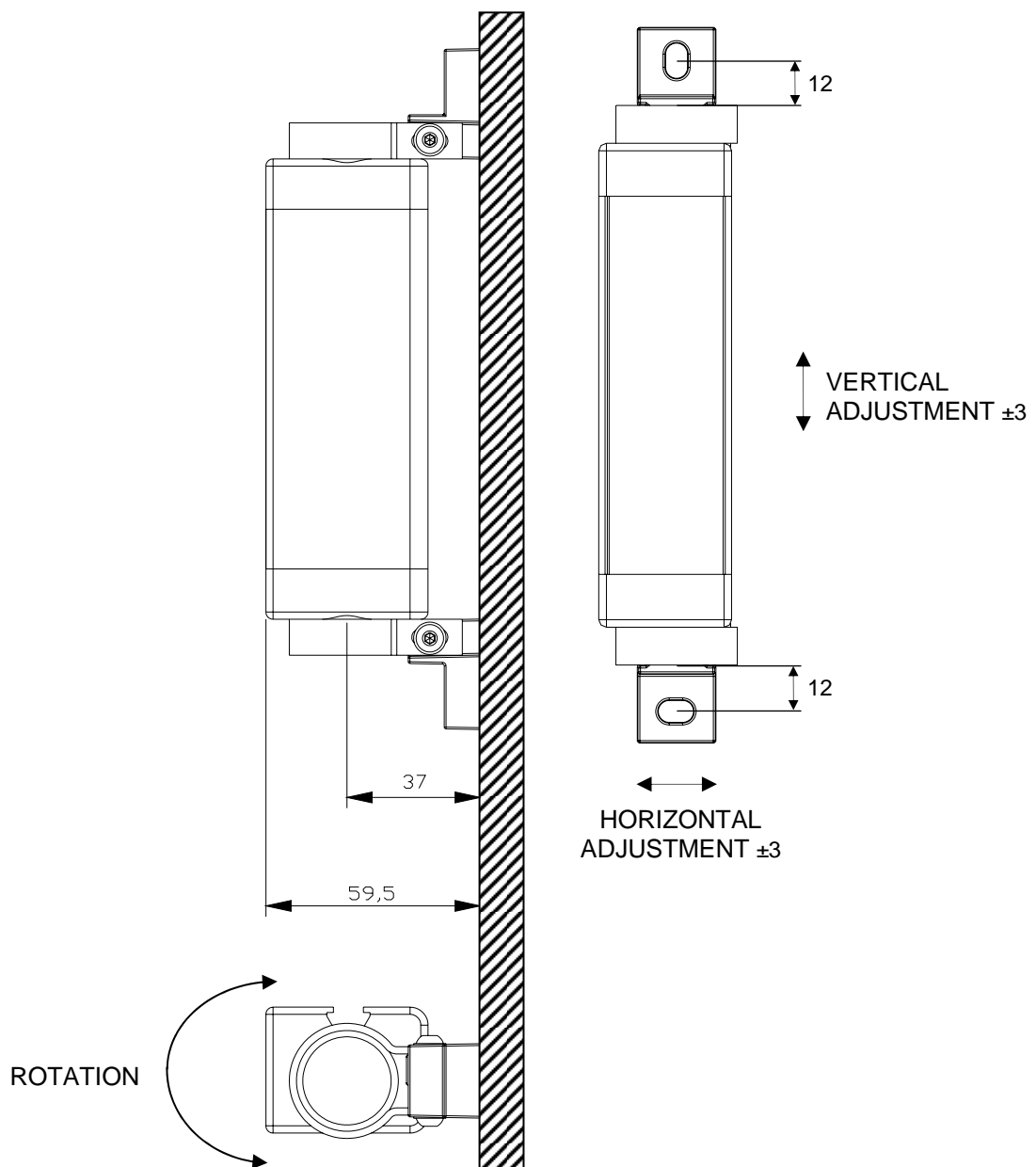


DESCRIPTION

The two plastic brackets allow accurate adjustment of the vertical and horizontal position of the light curtain.

The rotation of the barrier along the longitudinal axis is possible using the two circular clamps. To perform the rotation:

- loosen the clamps (upper and lower) acting on the two M4x10 screws;
- execute the rotation;
- tighten the two clamps acting on the two M4x10 screws.



Example of assembly with deviation from the fixing surface.